

SWW3P / SWW9L / SWW18L / SWW27L

Recessed Downlights

Shops lighting, window displays, hotels, offices...

Easy to install, tilting on its axis.

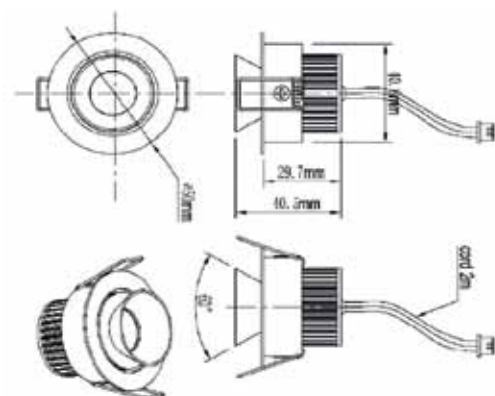
The light source comes from 2.5W Cree LED assembly.

Comes in colours or Warm White (3000K) or Daylight White (6000K).

Indoor installations only

SWW3P Spot 3w

- Requires a 12V AC / DC 50 / 60Hz power supply
- LED powered by constant current to protect it while maintaining strong brightness.
- Brightness controller can be installed between power supply and the spot.
- Cable included: 2m
- Tilting $\pm 5^\circ$ around horizontal axis



Products meet the following standards:    Subject to modification without prior notice

SWW9L Spot 9w

- LED Power: 7.5W +/-5%
- Brightness 350Lm (Daylight White)
- Beam angle 60°
- External diameter 92mm; diameter of embedding 78mm
- Constant current 220V driver included.



SWW18L Spot 18W

- LED Power: 15W +/-5%
- Brightness 650Lm (Daylight White)
- Beam angle 60°
- External diameter 125mm ; diameter of embedding 115mm
- Constant current 220V driver included.



SWW27L Spot 27W

- LED Power: 21W +/-5%
- Brightness 950Lm (Daylight White)
- Beam angle 60°
- External diameter 150mm ; diameter of embedding 140mm
- Constant current 220V driver included.

