

A3528DWW3030 / A3528DWW3060 / A3528DWW6060 / A3528DWW3012

Warm and Daylight White



Description

Extra-flat ceiling light with very low power consumption. This light is composed of a diffusing plate surrounded with LEDs on all four sides. The backside of the metal plate allows efficient heat dissipation thereby guaranteeing the longevity of the LEDs.

A low-voltage power supply is included. Models allowing white temperature and luminance adjustment are also available.

No polluting compounds such as mercury are used in manufacturing.

Available in four standard square and rectangular shapes, as well as a disc-shaped model.

Applications

Suited to lighting offices, businesses, public buildings, conference rooms, schools and hospitals.

Replaces fluorescent tube lighting fixtures.

Technical Characteristics

The regulated power supply provides a constant 220V/24V and includes a dimmer

Operating temperature: -20 to +40°C

Storage temperature: -20 to + 60°C

Relative operating and storage humidity: < 80%

Color: White, color temperature can be adjusted by a controller.

Operating Lifetime > 30,000h

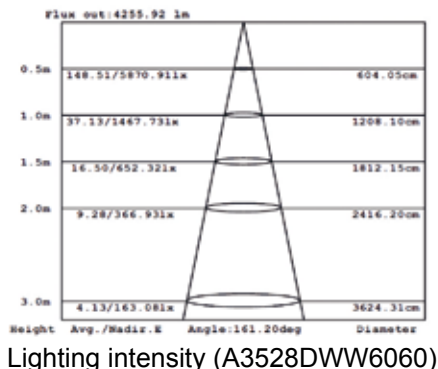
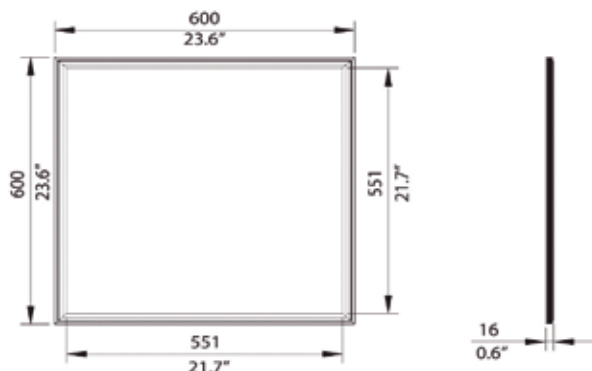
New Ref.	Quantity of LEDs	Size (cm)	Weight	Voltage	Power	Luminous Flux (lumen)	Beam Angle
A3528DWW3030	174xSMD 3528	30x30	2,3kg	24V	18W	1013	105°
A3528DWW3060	252xSMD 3528	30x60	4kg	24V	26W	1596	105°
A3528DWW6060	372xSMD 3528	60x60	6,1kg	24V	40W	2516	105°
A3528DWW3012	372xSMD 3528	30x120	6,5kg	24V	40W	2516	105°

Products meet the following standards:    Subject to modification without prior notice

Ceiling LED Panel - Warm and Daylight White

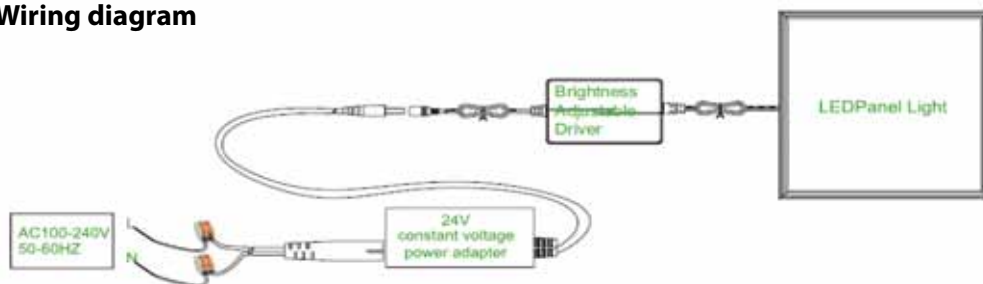


Dimensions



Lighting intensity (A3528DWW6060)

Wiring diagram



Optical characteristics

CIE Color Parameters:

Chromaticity Coordinate: $x=0.3808$ $y=0.3884$ / $u'=0.2208$ $v'=0.5067$ ($duv=5.26e-003$)

CCT: $T_c=4071K$ Prcp WaveL: $\lambda_d=576.2nm$ Purity=30.9%

Peak WaveL: $\lambda_p=450nm$ Half Width: $\Delta\lambda_p=25.1nm$ Ratio: R=16.0% G=81.6% B=2.5%

Average Wave: 570nm

Rendering Index: $R_a=70.0$

R1 =66 R2 =76 R3 =83 R4 =67 R5 =65 R6 =64 R7 =83 R8 =55

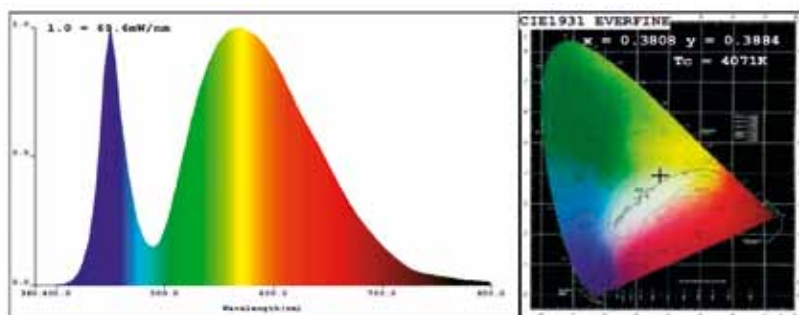
R9 =0 R10=42 R11=59 R12=31 R13=68 R14=90 R15=62

Photo Parameters:

Flux: $\phi=3690.7(lm)$ Luminous Efficacy: 61.44(lm/W) Luminous Power: $P=9.44(W)$

Electrical Parameters:

U=219.7V I=0.459A P=60.07W PF=0.592



GONIOPHOTOMETER Test Report

